

**PLEASE CHECK WWW.MOLEX.COM FOR LATEST PART INFORMATION**

**Part Number:** [0785610004](#)  
**Status:** **Active**  
**Overview:** [esatausb\\_combo\\_receptacles](#)  
**Description:** Combo External Serial ATA and USB Receptacles, Right Angle, Through hole, Top Mount, Sink Type, 1.50mm (.059") Sink Mount Height, Lead free

**Documents:**

[Drawing \(PDF\)](#) [RoHS Certificate of Compliance \(PDF\)](#)  
[Product Specification PS-78561-001 \(PDF\)](#)

**General**

Product Family	I/O Connectors
Series	<a href="#">78561</a>
Application	Wire-to-Board
Comments	Longer hind Forklocks . 1.50mm (.059") Sink Mount Height . Mounted on recessed PCB . Durability: 1,500 cycles for USB; 2,500 cycles for eSATA . Housing is without side slots in mating interface (refer Sales Drawing)
Component Type	Receptacle
Overview	<a href="#">esatausb_combo_receptacles</a>
Product Name	eSATA/USB Combo, External Serial ATA, USB
Type	N/A

**Physical**

Circuits (Loaded)	4, 7
Circuits Detail	eSATA: 7 circuits; USB: 4 circuits
Color - Resin	Black
Durability (mating cycles max)	1,500
Gender	Male
Keying to Mating Part	Yes
Lock to Mating Part	Yes
Material - Metal	Copper Alloy
Material - Plating Mating	Gold
Material - Plating Termination	Tin
Material - Resin	High Temperature Thermoplastic
Number of Rows	2
Orientation	Right Angle
PCB Locator	No
PCB Retention	Yes
PCB Thickness Recommended (in)	0.047 In
PCB Thickness Recommended (mm)	1.20 mm
Packaging Type	Embossed Tape on Reel
Panel Mount	Yes
Pitch - Mating Interface (in)	0.050 In, 0.079 In, 0.098 In
Pitch - Mating Interface (mm)	1.27 mm, 2.00 mm, 2.50 mm
Pitch - Term. Interface (in)	0.050 In, 0.079 In, 0.098 In
Pitch - Term. Interface (mm)	1.27 mm, 2.00 mm, 2.50 mm
Plating min: Mating (µin)	15
Plating min: Mating (µm)	0.38
Plating min: Termination (µin)	100
Plating min: Termination (µm)	2.54
Polarized to Mating Part	Yes
Polarized to PCB	Yes
Ports	1
Temperature Range - Operating	-35°C to +85°C

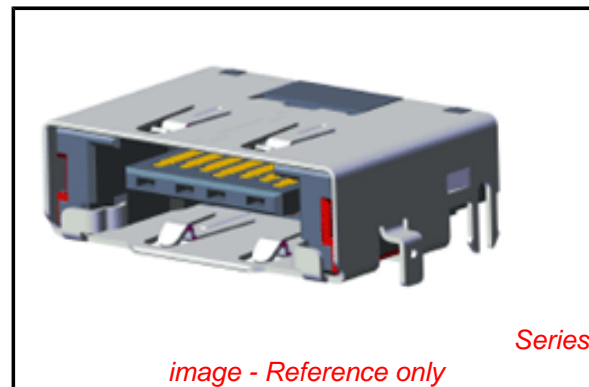


image - Reference only

**EU RoHS**

**ELV and RoHS  
Compliant**  
**REACH SVHC  
Not Reviewed**  
**Halogen-Free  
Status  
Not Reviewed**

**China RoHS**



**Need more information on product environmental compliance?**

Email [productcompliance@molex.com](mailto:productcompliance@molex.com)  
 For a multiple part number RoHS Certificate of Compliance, [click here](#)

Please visit the [Contact Us](#) section for any non-product compliance questions.

**Search Parts in this Series**

[78561Series](#)

**Mates With**

External Serial ATA Cable Assembly or USB Type A Cable Assembly

Termination Interface: Style

Through Hole

**Electrical**

Current - Maximum per Contact

1.5A

Grounding to Panel

Yes

Shield Type

Full Shield

Shielded

Yes

Voltage - Maximum

15V DC

**Material Info**

**Reference - Drawing Numbers**

Product Specification

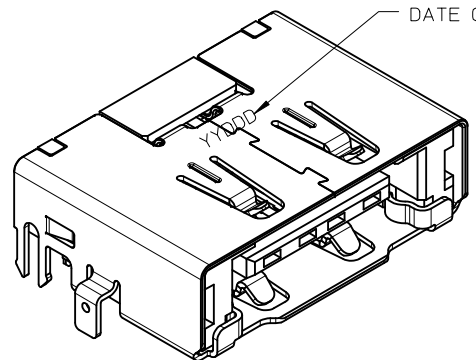
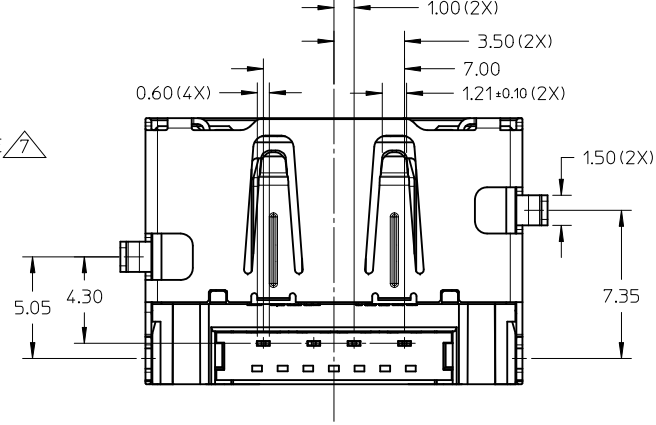
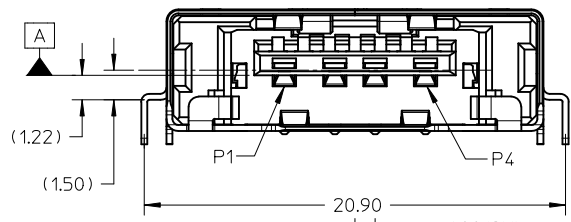
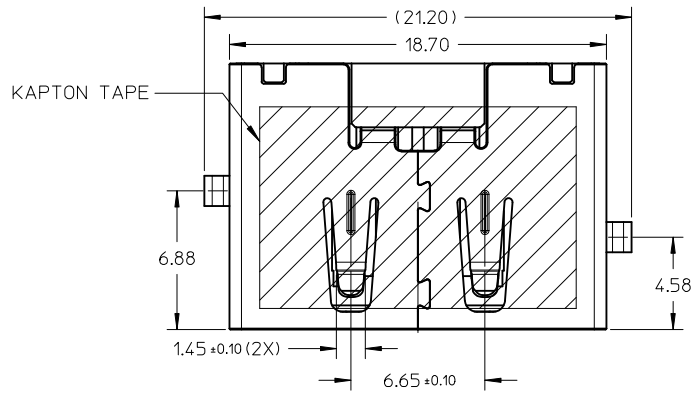
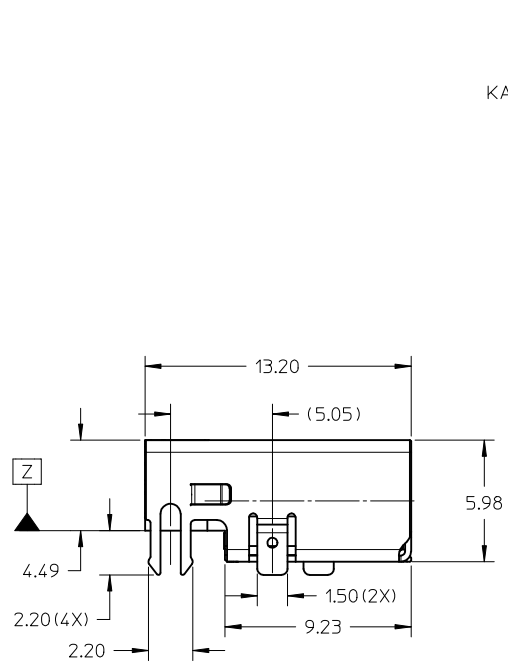
PS-78561-001

Sales Drawing

SD-78561-002

This document was generated on 05/20/2010

**PLEASE CHECK [WWW.MOLEX.COM](http://WWW.MOLEX.COM) FOR LATEST PART INFORMATION**



- NOTES:
- MATERIAL:
    - HOUSING: HIGH TEMPERATURE THERMOPLASTIC, GLASS FILLED, BLACK, UL94V-0.
    - BASEPLATE: HIGH TEMPERATURE THERMOPLASTIC, GLASS FILLED, BLACK, UL94V-0.
    - TERMINAL: COPPER ALLOY.
    - METAL SHELL: STAINLESS STEEL.
  - PLATING FINISHES
    - TERMINAL: SEE TABLE
    - METAL SHELL PLATING: 127µm MIN SOLDERABLE NICKEL PLATING.
  - PRODUCT SPECIFICATION: PS-78561-001
  - PACKAGING SPECIFICATION: PK-78561-001
  - MATES WITH TYPICAL USB COMPLIANT CABLES
  - PRODUCT COMPLIANT TO Rohs DIRECTIVE 2002/95/EC AND ELV DIRECTIVE 2000/53/EC.
  - DATE CODE: YYDDD, 'YY' REPRESENTS YEAR, 'DDD' REPRESENTS DAY.

PIN ASSIGNMENT

USB		ESATA	
NAME	TYPE	NAME	TYPE
P1	VBUS		
P2	D-		
P3	D+		
P4	GND		

NOT USED

PLATING SPECIFICATION

PART NAME	CONTACT MATING AREA	SOLDERTAIL AREA
78561-0003	GOLD (0.76µm MIN.)	TIN (2.54µm MIN.)
	OVER NICKEL (1.27µm MIN.) PLATING	
78561-0004	GOLD (0.38µm MIN.)	TIN (2.54µm MIN.)
	OVER NICKEL (1.27µm MIN.) PLATING	

ADD DATE CODE EC NO: S2010-0875 DRW:KHLIM CHKD:CGOH APPR:BOKOK	2010/04/19 2010/04/29 2010/05/03	DESCRIPTION F <sub>A</sub> =0 F <sub>C</sub> =0 F <sub>P</sub> =0	QUALITY SYMBOLS		GENERAL TOLERANCES (UNLESS SPECIFIED)		DIMENSION STYLE MM ONLY		SCALE NTS	DESIGN UNITS METRIC	THIRD ANGLE PROJECTION			
			4 PLACES ± --- ± --- 3 PLACES ± --- ± --- 2 PLACES ± 0.25 ± --- 1 PLACE ± --- ± ---		mm INCH	DRAWN BY KHLIM	DATE 2009/10/06	TITLE USB COMBO (W/O ESATA) TOP MOUNT/ SINK TYPE 1.50MM HEIGHT						
			ANGULAR ± 3 °		DRAFT WHERE APPLICABLE MUST REMAIN WITHIN DIMENSIONS		APPROVED BY BOKOK	DATE 2010/04/30	MATERIAL NO. SEE TABLE		DOCUMENT NO. SD-78561-002	SHEET NO. 1 OF 4		
			A4		REV	SIZE A3		THIS DRAWING CONTAINS INFORMATION THAT IS PROPRIETARY TO MOLEX INCORPORATED AND SHOULD NOT BE USED WITHOUT WRITTEN PERMISSION						

10 9 8 7 6 5 4 3 2 1

F

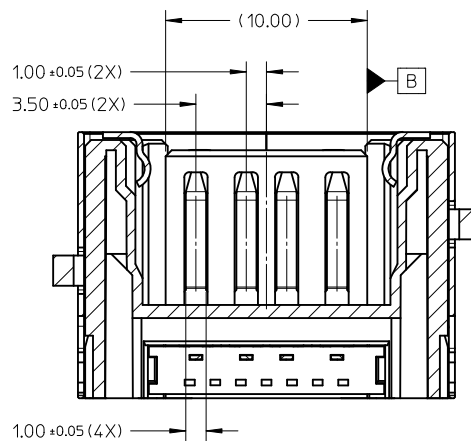
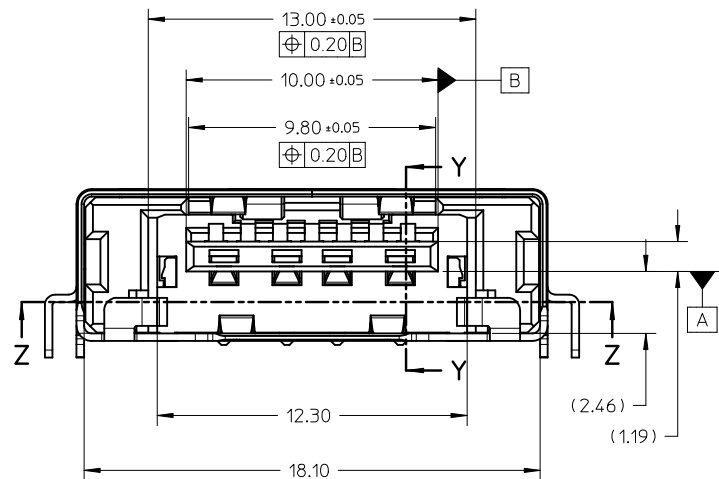
E

D

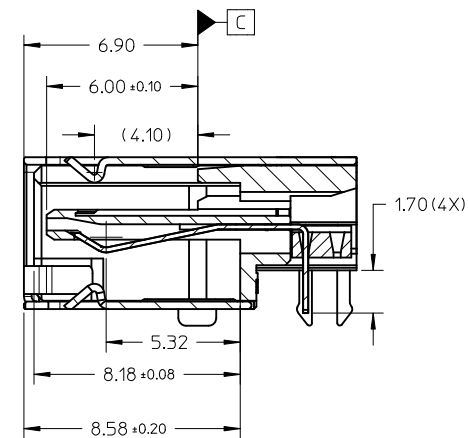
C

B

A



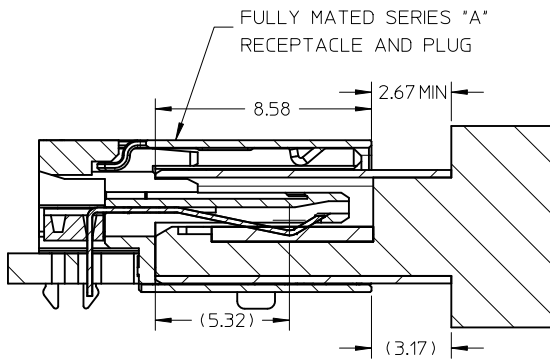
SECTION Z-Z



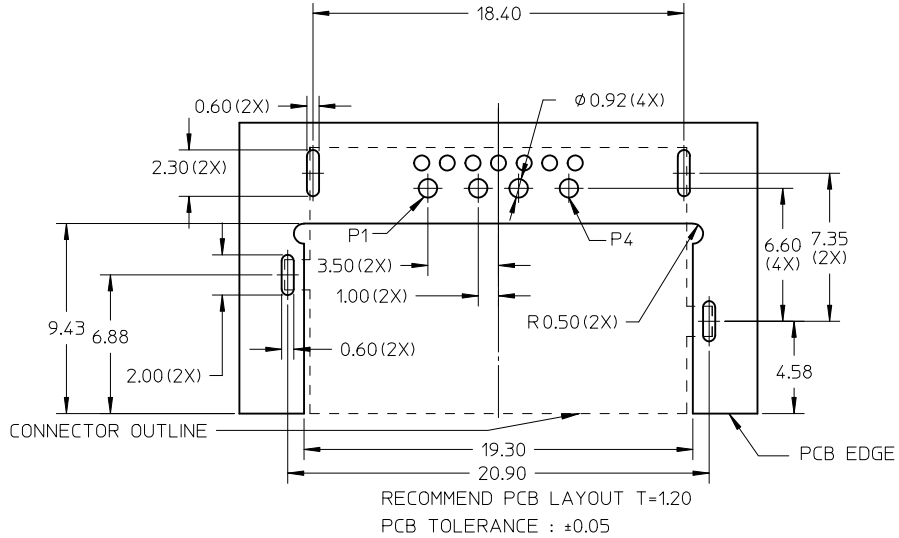
SECTION Y-Y

ADD DATE CODE EC NO: S2010-0875 DRW:KHLIM CHKD:CGOH APPR:BOKOK	2010/04/19 2010/04/29 2010/05/03	DESCRIPTION REV	QUALITY SYMBOLS	GENERAL TOLERANCES (UNLESS SPECIFIED)		DIMENSION STYLE		SCALE	DESIGN UNITS	THIRD ANGLE PROJECTION		
			$F_A=0$ $F_C=0$ $F_P=0$	mm	INCH	MM ONLY	NTS	METRIC	DRAWN BY: KHLIM DATE: 2009/10/06 CHECKED BY: CGOH DATE: 2009/12/01 APPROVED BY: BOKOK DATE: 2010/04/30		TITLE: USB COMBO (W/O ESATA) TOP MOUNT/ SINK TYPE 1.50MM HEIGHT MOLEX INCORPORATED	
			4 PLACES ± --- ± --- 3 PLACES ± --- ± --- 2 PLACES ± 0.25 ± --- 1 PLACE ± --- ± --- ANGULAR ± 3 °	DRAFT WHERE APPLICABLE MUST REMAIN WITHIN DIMENSIONS		SEE TABLE		DOCUMENT NO. SD-78561-002		SHEET NO. 2 OF 4		
			A4	SIZE A3	THIS DRAWING CONTAINS INFORMATION THAT IS PROPRIETARY TO MOLEX INCORPORATED AND SHOULD NOT BE USED WITHOUT WRITTEN PERMISSION							

9 8 7 6 5 4 3 2 1

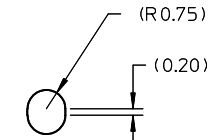
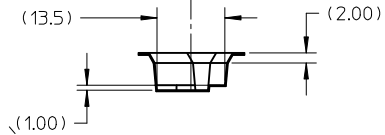
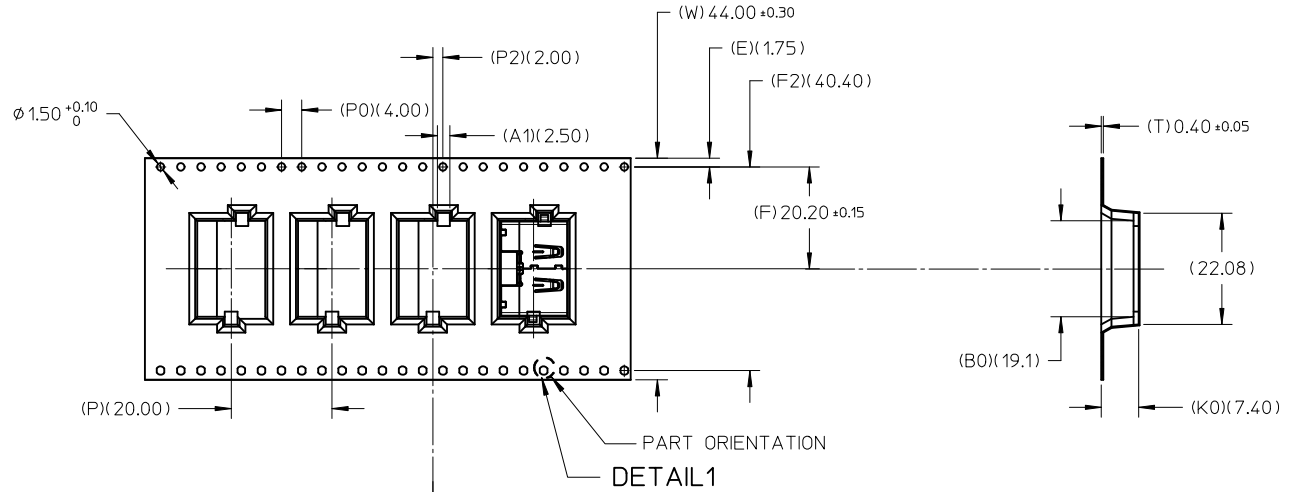


FULLY MATED SERIES "A"  
RECEPTACLE AND PLUG  
MATING WITH USB CABLE  
SECTION X-X



ADD DATE CODE EC NO: S2010-0875 DRW:KHLIM CHKD:CGOH APPR:BOKOK	2010/04/19 2010/04/29 2010/05/03	DESCRIPTION REV	QUALITY SYMBOLS	GENERAL TOLERANCES (UNLESS SPECIFIED)	DIMENSION STYLE	SCALE	DESIGN UNITS	THIRD ANGLE PROJECTION
			$F_A=0$ $F_C=0$ $F_P=0$	mm    INCH 4 PLACES ± --- ± --- 3 PLACES ± --- ± --- 2 PLACES ± 0.25 ± --- 1 PLACE ± --- ± --- ANGULAR ± 3 °	MM ONLY	NTS	METRIC	
				DRAWN BY: KHLIM    DATE: 2009/10/06 CHECKED BY: CGOH    DATE: 2009/12/01 APPROVED BY: BOKOK    DATE: 2010/04/30	TITLE	USB COMBO (W/O ESATA) TOP MOUNT/ SINK TYPE 1.50MM HEIGHT		
			DRAFT WHERE APPLICABLE MUST REMAIN WITHIN DIMENSIONS	SEE TABLE	MATERIAL NO. DOCUMENT NO.	MOLEX INCORPORATED SD-78561-002		SHEET NO. 3 OF 4

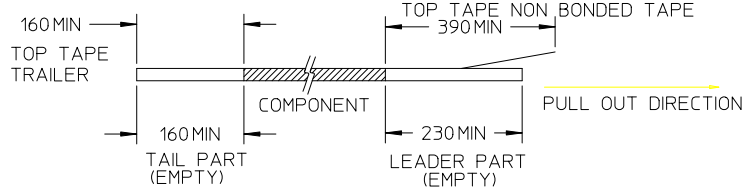
CUSTOMER PULLOUT DIRECTION 



DETAIL1

NOTES:

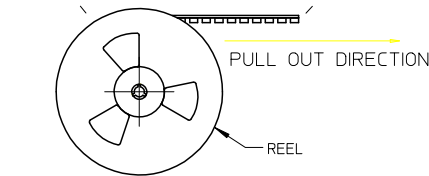
1. LEADER AND TRAILER TAPE



2. PEELING OFF FORCE OF THE TOP TAPE: 10-130gf MAX.  
(PEELING DIRECTION AS SHOWN IN FOLLOWING FIGURE)



- 3. PACKAGING QTY: 400 PCS/REEL
- 4. PACKAGING STANDARD IS AS PER EIA-481.
- 5. MATERIAL: POLYSTYRENE. ANTISTATIC.
- 6. COLOR: BLACK



ADD DATE CODE EC NO: S2010-0875 DRW:KHLIM CHKD:CGOH APPR:BOKOK	2010/04/19 2010/04/29 2010/05/03	DESCRIPTION QUALITY SYMBOLS $F_A=0$ $F_C=0$ $F_P=0$	GENERAL TOLERANCES (UNLESS SPECIFIED)		DIMENSION STYLE MM ONLY		SCALE NTS	DESIGN UNITS METRIC	THIRD ANGLE PROJECTION				
			mm	INCH	DRAWN BY KHLIM	DATE 2009/10/06	TITLE USB COMBO (W/O ESATA) TOP MOUNT/ SINK TYPE 1.50MM HEIGHT						
			4 PLACES	± ---	± ---	CHECKED BY CGOH	DATE 2009/12/01	MOLEX INCORPORATED					
			3 PLACES	± ---	± ---	APPROVED BY BOKOK	DATE 2010/04/30	MATERIAL NO. SEE TABLE		DOCUMENT NO. SD-78561-002		SHEET NO. 4 OF 4	
DRAFT WHERE APPLICABLE MUST REMAIN WITHIN DIMENSIONS			ANGULAR ± 3 °		THIS DRAWING CONTAINS INFORMATION THAT IS PROPRIETARY TO MOLEX INCORPORATED AND SHOULD NOT BE USED WITHOUT WRITTEN PERMISSION								